



## I-7532

Two-channel CAN Bus Isolated Bridge

### Features

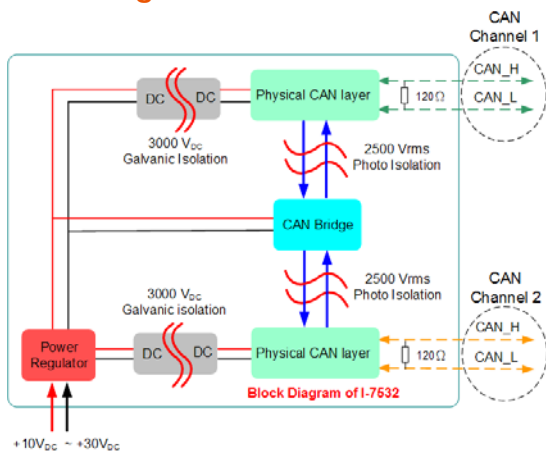
- 82C250 CAN transceiver
- 2500 Vrms photo coupler isolation on CAN side
- 3 kV galvanic isolation among the power supply and 2 CAN channels
- Support both CAN 2.0A and CAN 2.0B
- Fully compatible with the ISO 11898-2 standard
- Built-in jumper to select 120Ω terminal resistor
- Watchdog inside
- Up to 100 CAN nodes on each channel
- 768-frame buffer for each CAN channel
- Adjustable CAN bus baud rate from 5K bps to 1M bps or programmable user-defined baud rate



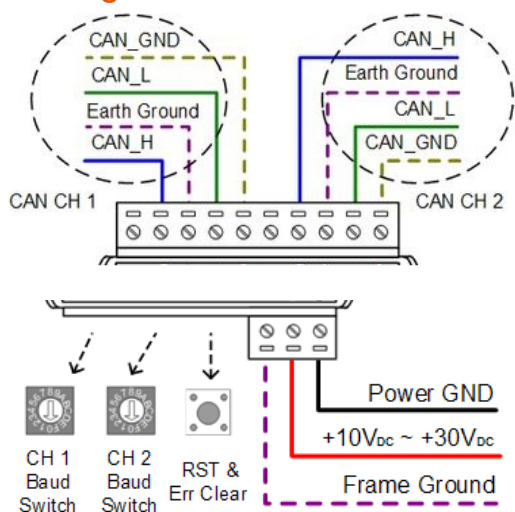
### Introduction

I-7532 is a CAN bridge used to establish a connection between two CAN bus systems in a CAN network and more functions are equipped than I-7531 (CAN Repeater). Three powerful features are provided by I-7532. First, the transmission distance limitation of the CAN bus system on each side of I-7532 are independent, which means the total CAN network distance can be extended. Second, when some errors (e.g. bit error) happened on one side of I-7532 of the CAN bus system; the other side can still work correctly. Last one, the baud rate and filter setting of these two CAN channels on I-7532 can be different for highly flexibility and efficiency.

### Block Diagram



### Pin Assignments



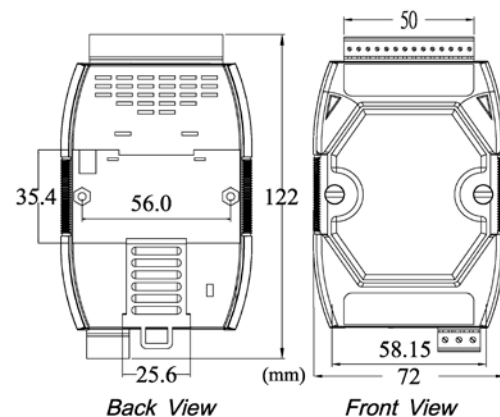
### Baud Rate Selection

Switch Value	0	1	2	3
Baud [bps]	Config Mode	5k or User-defined CAN baud	10 k	20 k
Switch Value	4	5	6	7
Baud [bps]	40 k	50 k	80 k	100 k
Switch Value	8	9	A	B
Baud [bps]	125 k	200 k	250 k	400 k
Switch Value	C	D	E	F
Baud [bps]	500 k	600 k	800 k	1 M

### RST & Err Clear Button

Reset & Error Clear button	
Click	Error clear
Push (3sec)	Module reset

### Dimensions (Units: mm)



## LED Indication



*i-7532*

PWR

CH1 ERR

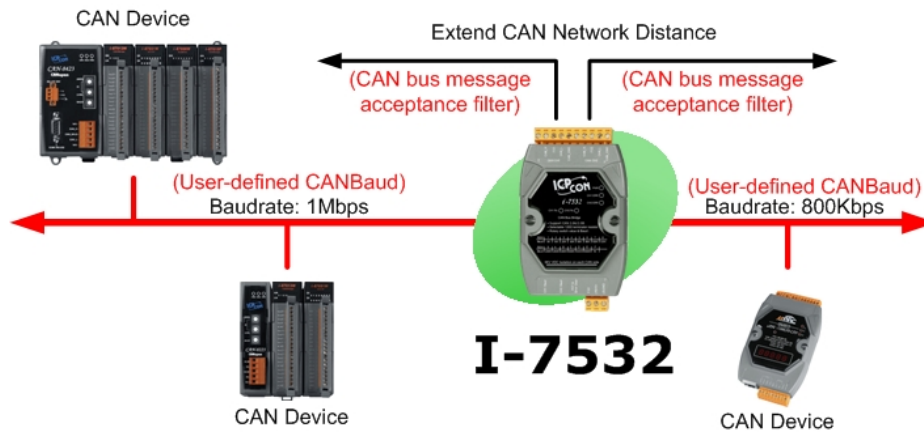
CH2 ERR

CH1 Rx  CH2 Rx

PWR LED	
ON	Comm. Mode
FLASH	Config. Mode
OFF	Power off
Rx LED	
Flashing	Transmission
ON (config. mode)	Configuration via this CAN Ch.
OFF	Bus idle

ERR LED	
Flashing (100ms)	Transmission Fail
Flashing (1sec)	Buffer Overflow
ON	Bus off
OFF	No error

## Application



## Hardware Specifications

CAN Interface	
Controller	Microprocessor inside with 72MHz
Transceiver	NXP 82C250
Channel number	2
Connector	4-pin screwed terminal block (CAN_GND, CAN_L, CAN_SHLD, CAN_H)
Baud Rate (bps)	Adjustable CAN bus baud rate from 5Kbps to 1Mbps or programmable user-defined baud rate
Isolation	3000 V <sub>DC</sub> for DC-to-DC, 2500 V <sub>rms</sub> for photo-couple
Terminal Resistor	Jumper for 120 Ω terminal resistor
Specification	ISO-11898-2, CAN 2.0A and CAN 2.0B
Power	
Power supply	Unregulated +10 ~ +30 V <sub>DC</sub>
Protection	Power reverse polarity protection, Over-voltage brown-out protection
Power Consumption	2 W
Mechanism	
Installation	DIN-Rail
Dimensions	72mm x 122mm x 33mm (W x L x H)
Environment	
Operating Temp.	-25 ~ 75 °C
Storage Temp.	-30 ~ 80 °C
Humidity	10 ~ 90% RH, non-condensing

## Ordering Information

<b>I-7532-G CR</b>	Two-channel CAN Bus Isolated Bridge (RoHS)
--------------------	--