

NSM-108/NS-208/NS-208R

Unmanaged 8-Port Industrial 10/100 Mbps Ethernet Switch



Introduction

The NSM-108/NS-208/NS-208R has 8 Ethernet Switching ports that support 10/100 Base-T(X) with a 10/100M auto-negotiation feature and auto MDI/MDIX function. It can connect 8 workstations and automatically switches the transmission speed (10/100 Mbps) for corresponding connections. The flow control mechanism is also negotiated.

LEDs embedded in RJ-45 jacks make for easy monitoring. Port connectors are shielded RJ-45. A power source for +12~+48 VDC is required.

Features

- Automatic MDI / MDI-X crossover for plug-and-play
- Each port supports both 10/100 Mbps speed auto negotiation
- Store-and-forward architecture
- Full duplex IEEE 802.3x and half duplex backpressure flow control
- Conformal Coated for harsh railway standards (for NS-208R)
- Supports +12 ~ +48V DC voltage
- Supports operating temperatures from -40 ~ +75 °C
- Support DIN-Rail and Wall Mounting(NSM-108 only)
- Broadcast storm protection (NS-208 & NS-208R only)

Specifications

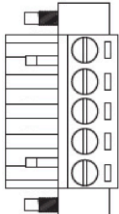
Models	NS-208	NS-208R	NSM-108
Technology			
Standards	IEEE 802.3, 802.3u, 802.3x		
Processing Type	Store & forward		
MAC Addresses	2048		
Frame Buffer Memory	1 Mbit		
Flow Control	IEEE 802.3x flow control, back pressure flow control		
Interface			
RJ-45 Ports	10/100 Base-T(X) auto negotiation speed, F/H duplex mode, and auto MDI/MDI-X connection		
LED Indicators	Power, Link/Act, 10/100M		
Ethernet Isolation	1500 Vrms 1 minute		
EMS Protection	Yes		
DIP Switch	BSP Enable		--
Power Input			
Input Voltage Range	+12 ~ +48 VDC (Non-isolated)		
Power Consumption	0.08A @ 24 VDC		
Protection	Power reverse polarity protection		
EMS Protection	Yes		
Connector	5-Pin Removable Terminal Block		
Mechanical			
Casing	Plastic		Metal
Dimensions (W x L x H)	64 mm x 98 mm x 118 mm		73 mm x 102 mm x 132 mm
Installation	DIN-Rail Mounting		DIN-Rail Mounting or Wall Mounting
Environment			
Operating Temperature	-40 °C ~ +75 °C		
Storage Temperature	-40 °C ~ +85 °C		
Ambient Relative Humidity	10% ~ 90% RH, non-condensing		

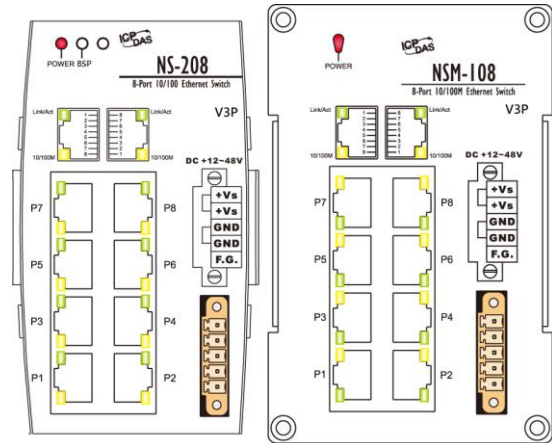
Note : This table only use for “V3P” version , version information please reference product front

LED Indicator Functions

LED	Color	Description
Power	Red On	Power is On
	Red Off	Power is Off
Ethernet Port	Green On	Link/Act
	Green Off	Not Networking
	Yellow On	Link to 100 Mbps
	Yellow Off	Link to 10 Mbps

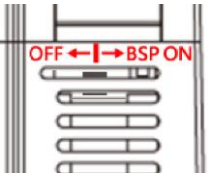
Pin assignment

Pin	Terminal No.	Function
+VS		+12 ~ +48 VDC
+VS		
GND		Power Ground.
GND		
F.G.		



Broadcast storm protection

NS-208 and NS-208R has BSP(Broadcast Storm Protection) Function , this function can protect your Ethernet device disturbed from Broadcast ,If switch detection Broadcast packet over 100 par second, Switch will drop the excess part to protect communication.

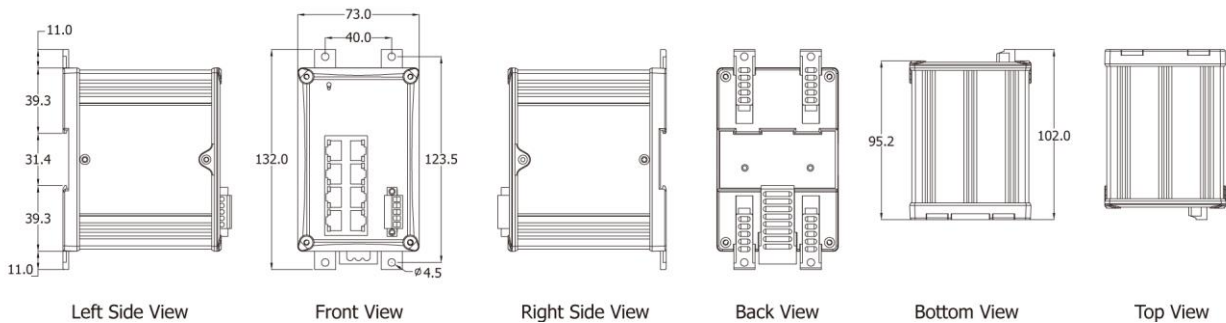


When the BSP Enable Switch is move the right side, the models will running BSP function after restart the power

Enable Switch move the left or middle will disable BSP function after restart the power

Dimensions

NSM-108



NS-208/NS-208R

